

Santos #09 Heavy Duty Countertop Ice Shaver

ITEM: 44023
MODEL: SANTOS 09

The Powerful and Sturdy Ice Shaver

The Santos 09 ice shaver is powerful and sturdy, delivered with an adjustable disc to make snow ice and crushed ice. Ideal for bars, restaurants, fish shops, caterers... This model facilitates cleaning and maintenance.

FEATURES:

- Safety switch stopping the motor when the lever or the drawer is opened
- Stainless steel and sanitary cast aluminum antimicrobial paint
- Ergonomic and sturdy articulated lever
- New shockproof drawer without bisphenol
- Easy to clean base



1-833-487-3686

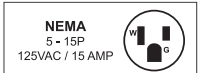
www.trentoequipment.com

sales@trentoequipment.com

Follow us on social media
[@trentoequipment](#)



Authorized Dealer





Disc adjusted in "snow ice" position



Disc adjusted in "crushed ice" position

ONE Disc TWO Possibilities

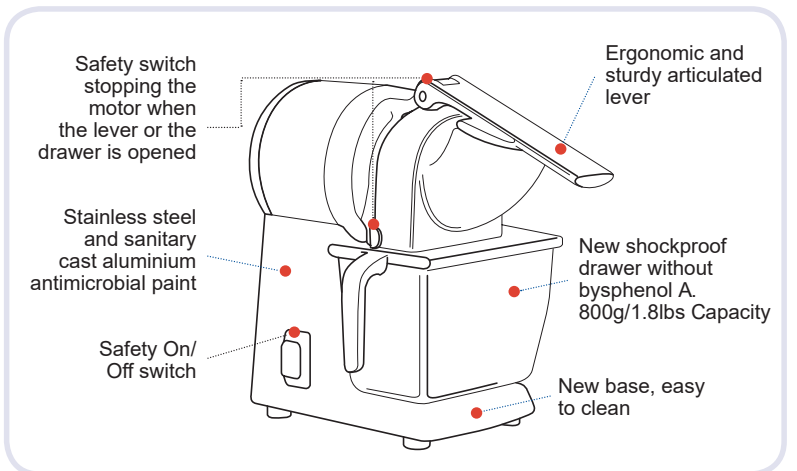
Technical Specification

Item	44023
Model	SANTOS 09
Production (Per Hour)	220 lb. (100 kg.)
Power	650 W
Amps	5.4 A
Electrical	100-120V/60Hz/1Ph
RPM	1800
Net Weight	32 lb. (14.7 kg.)
Net Dimensions (WDH)	10" x 16.5" x 14" (250 x 420 x 356 mm)
Gross Weight	34 lb. (15.7 kg.)
Gross Dimensions (WDH)	12" x 21" x 16" (305 x 533 x 406 mm)
Plug Type	NEMA 5-15P

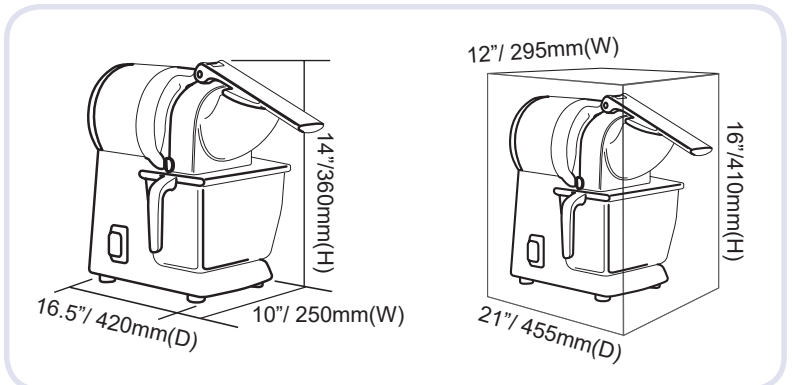


1. Removable housing for easy cleaning
2. Discs can be adapted to both new and old ice crusher
3. Stainless steel plate for easy cleaning
4. Integrated tool to screw and unscrew the disc and lock the ice crusher housing

EASY To Clean



PARTS And SPECIFICATIONS



DIMENSIONS

